

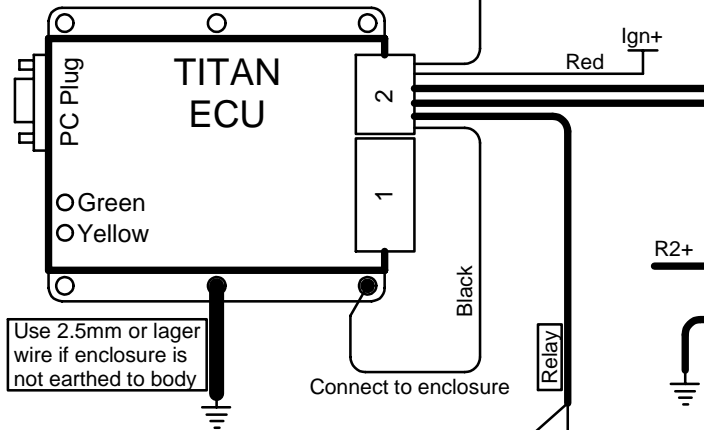
E26 V8 8Coil 8Inj

Last Changed: 05/07/2011

Drawing Ver: 2.0

Ign+
| Ignition Power
|
| Earth
|
Terminal Connections
with the same name
are tied together

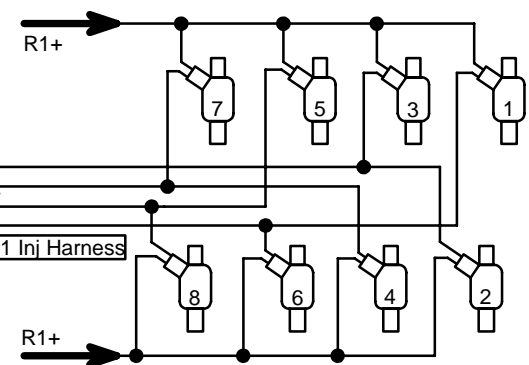
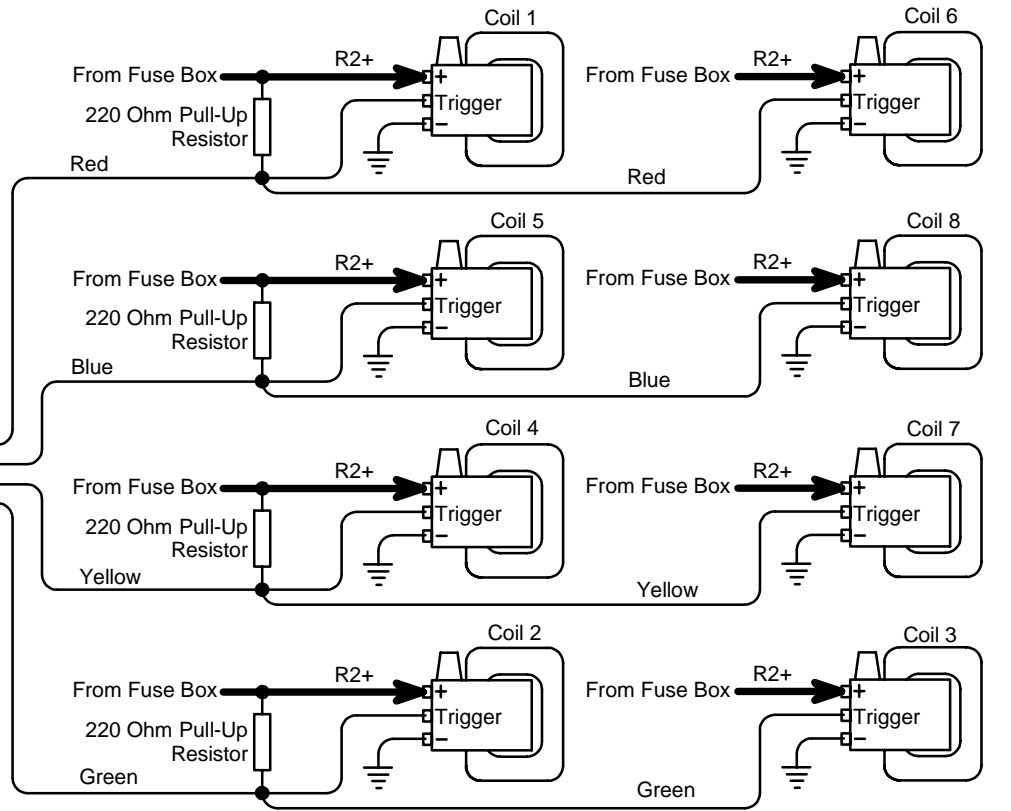
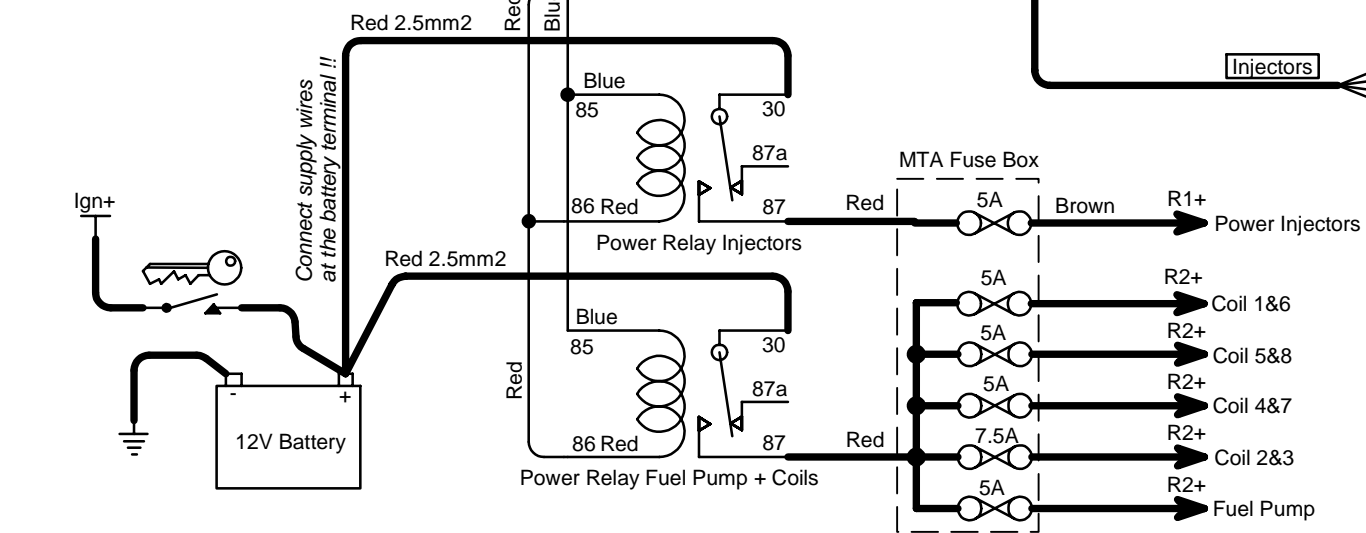
Led's Functions
Yellow - Power
Green - RPM Pulse



Use 2.5mm or larger
wire if enclosure is
not earthed to body

Firing Order
Lexus-Chev 18436572
Nissan 18736542

Note! Remember to put
Coil Driver Trigger Level
on **External Coil Driver** before
connecting the 10Way conector



- 1. Blue - Coil 5&8
- 2. Green - Coil 2&3
- 3. Yellow - Inj 1&6
- 4. Blue - Fuel Relay
- 5. Red - Inj 4&7
- 6. Red - Coil 1&6
- 7. Yellow - Coil 4&7
- 8. Green - Inj 5&8
- 9. Green - RPM Output
- 10. Blue - Inj 2&3

